

AGAINST ANY UNAUTHORIZED REPRODUCTION
 CONTRACTOR TO VERIFY SITE MEASUREMENTS
 AND REPORT ANY DISCREPANCIES TO DESIGNER
 DRAWINGS PREPARED FOR CONSTRUCTION
 PERMIT

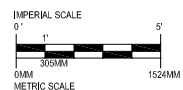
SITE:



Whalerjack
 225 Sterling Road, Unit 200B
 Toronto, ON, M6R 2B2

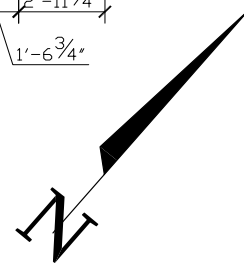
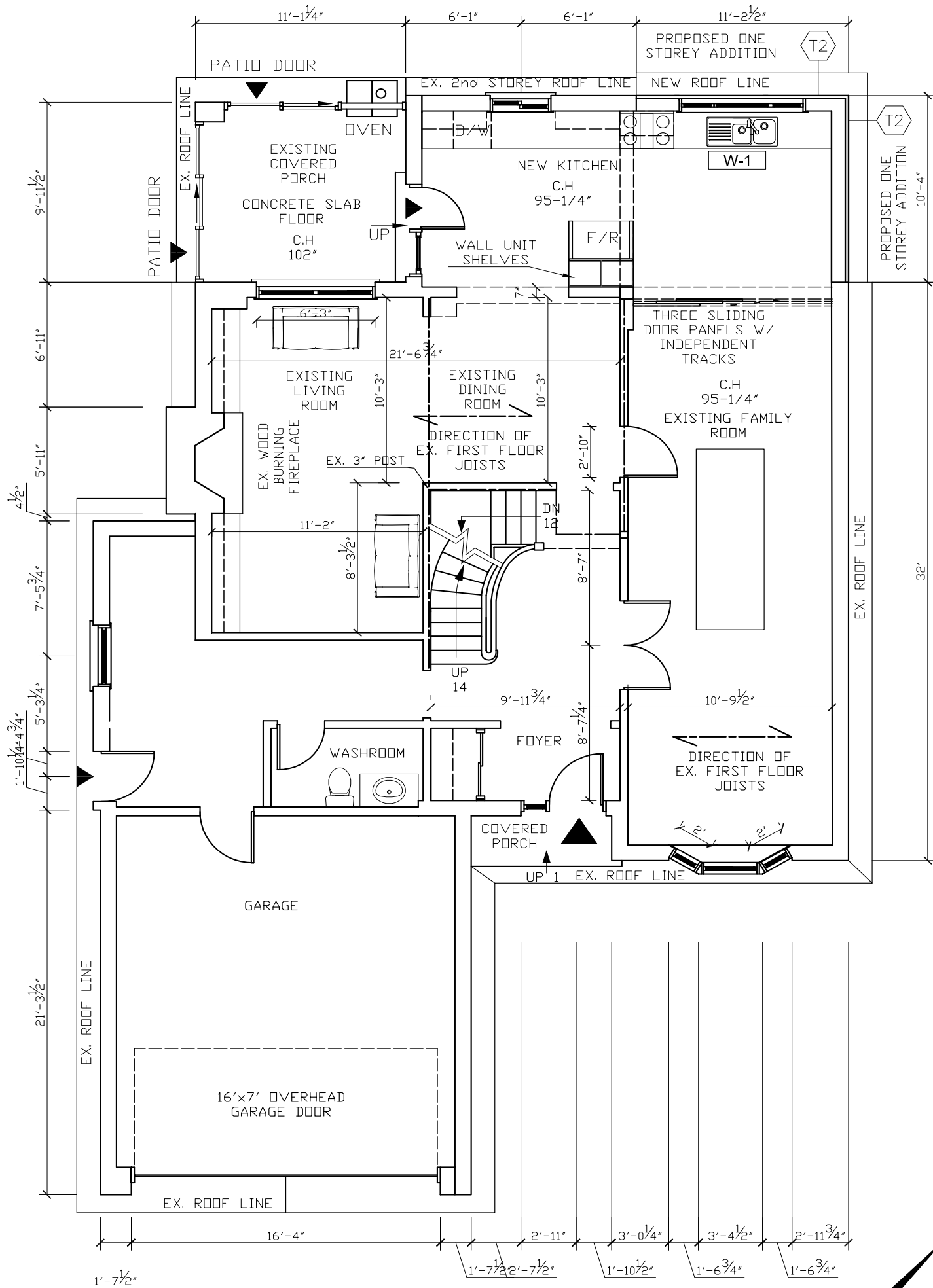
PROPOSED BASEMENT PLAN

SCALE:



IMPERIAL SCALE
 0' 1' 5'
 METRIC SCALE
 0MM 305MM 1524MM

DWG NO:
A-1
 DRAWN BY:
 K.L.
 DATE:
 25/5/11



AGAINST ANY UNAUTHORIZED REPRODUCTION
CONTRACTOR TO VERIFY SITE MEASUREMENTS
AND REPORT ANY DISCREPANCIES TO DESIGNER

DRAWINGS PREPARED FOR CONSTRUCTION
PERMIT

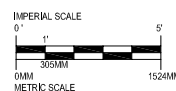
SITE:



Wbalerjack
225 Sterling Road, Unit 200B
Toronto, ON, M6R 2B2

PROPOSED FIRST FLOOR PLAN

SCALE:



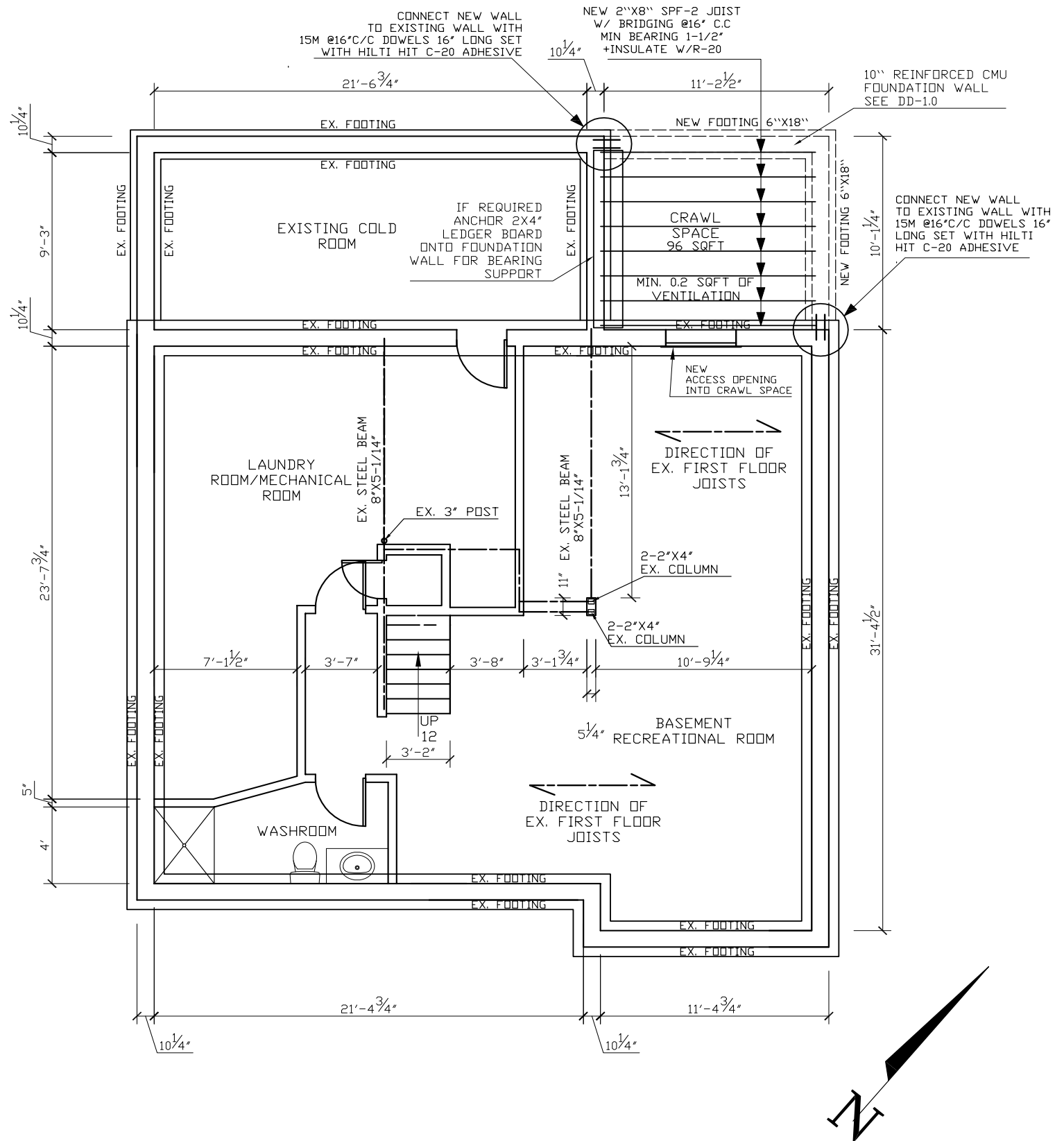
DWG NO:

A-2

DRAWN BY:
K.L.

DATE:
25/5/11

FRAMING NOTES		
BM-1 BUILT-UP FLOOR BEAM (MIN. 3" BEARING) SPF SELECT STRUCTURAL 5-2"x8"	J-1 FLOOR JOISTS SPF NO 1. OR NO. 2 2"x8" @ 16" O.C.	FLOOR JOISTS TO HAVE 1-1/2" MIN END BEARING SILL PLATES SHALL BE MIN. 2"x4" SILL PLATES ARE TO BE LEVELLED THE JOINT BETWEEN A SILL PLATE AND THE FOUNDATION WALL SHALL BE SEALED WITH AN AIR BARRIER SYSTEM
BM-2 BUILT-UP RIDGE BEAM (MIN. 3-1/2" BEARING) SPF SLECECT 5-2"x8"	J-2 CEILING JOISTS SPF NO 1. OR NO. 2 2"x6" @ 16" O.C.	
PD-1, PD-2, PD-3, PD-4 WOOD COLUMN 5-2"x6"	J-3 ROOF JOISTS SPF NO 1. OR NO. 2 2"x8" @ 16" O.C.	
LT-1 WOOD LINTLE 2-2"x8"		



AGAINST ANY UNAUTHORIZED REPRODUCTION
CONTRACTION TO VERIFY SITE MEASUREMENTS
AND REPORT ANY DISCREPANCIES TO DESIGNER

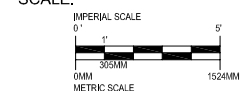
DRAWINGS PREPARED FOR CONSTRUCTION
PERMIT

SITE:



PROPOSED BASEMENT PLAN

SCALE:



DWG NO:

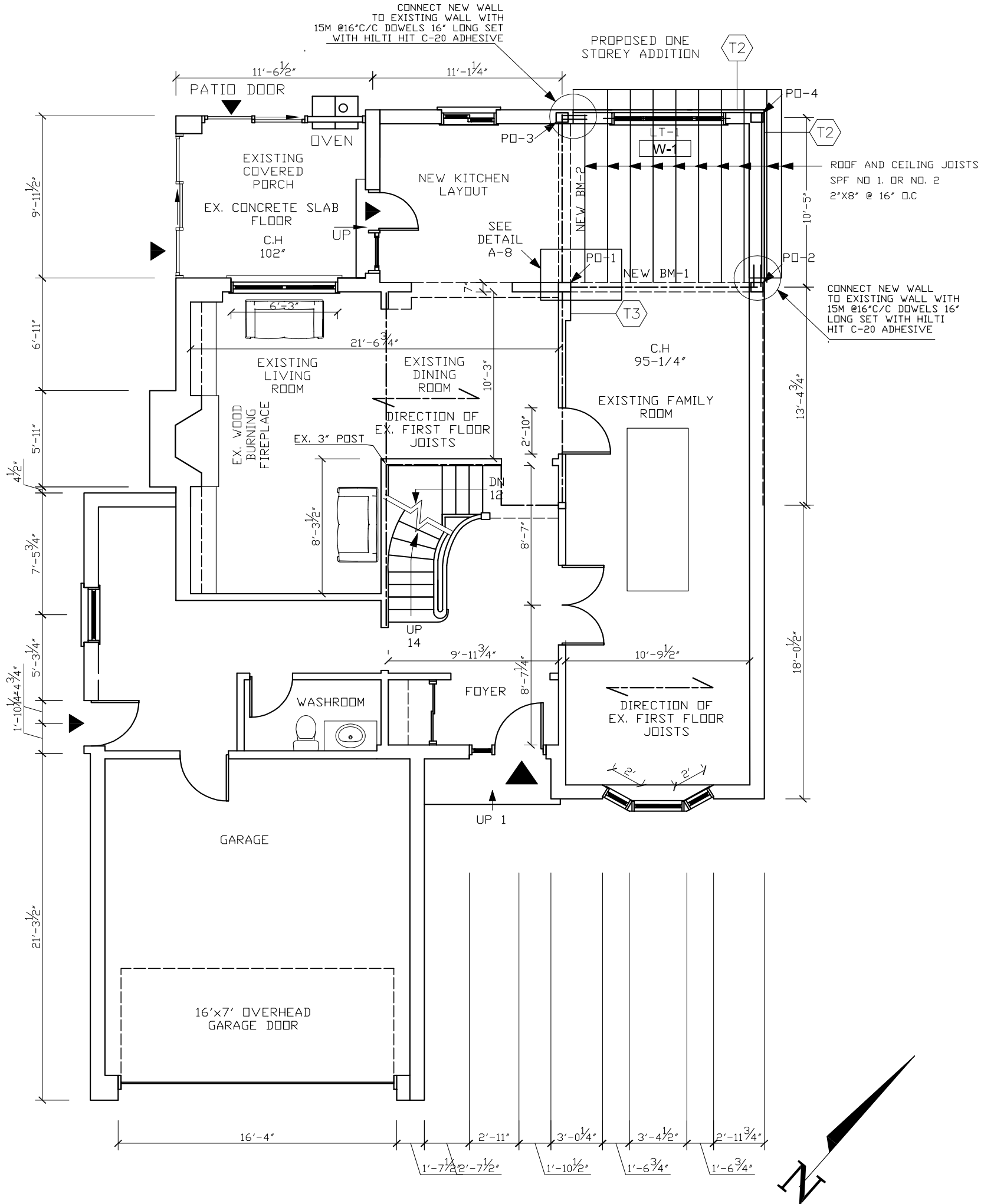
A-1

DRAWN BY:
K.L.

DATE:
25/5/11

FRAMING NOTES

BM-1	BUILT-UP FLOOR BEAM (MIN. 3" BEARING) SPF SELECT STRUCTURAL 5-2"x8"	J-1	FLOOR JOISTS SPF NO 1. OR NO. 2 2"x8" @ 16" O.C	SHORE ALL SUPPORTED JOISTS BOTH SIDES AND CONNECT TO THE NEW BEAM WITH JOIST HANGERS ADVISE THE ENGINEER IF CONDITIONS FOUND VARY FROM THAT ASSUMED AND SHOWN
BM-2	BUILT-UP RIDGE BEAM (MIN. 3-1/2" BEARING) SPF SLECECT 5-2"x8"	J-2	CEILING JOISTS SPF NO 1. OR NO. 2 2"x6" @ 16" O.C	
PO-1, PO-2, PO-3, PO-4	WOOD COLUMN 5-2"x6"	J-3	ROOF JOISTS SPF NO 1. OR NO. 2 2"x8" @ 16" O.C	
LT-1	WOOD LINTLE 2-2"x8"			



AGAINST ANY UNAUTHORIZED REPRODUCTION
CONTRACTOR TO VERIFY SITE MEASUREMENTS
AND REPORT ANY DISCREPANCIES TO DESIGNER
**DRAWINGS PREPARED FOR CONSTRUCTION
PERMIT**

SITE:

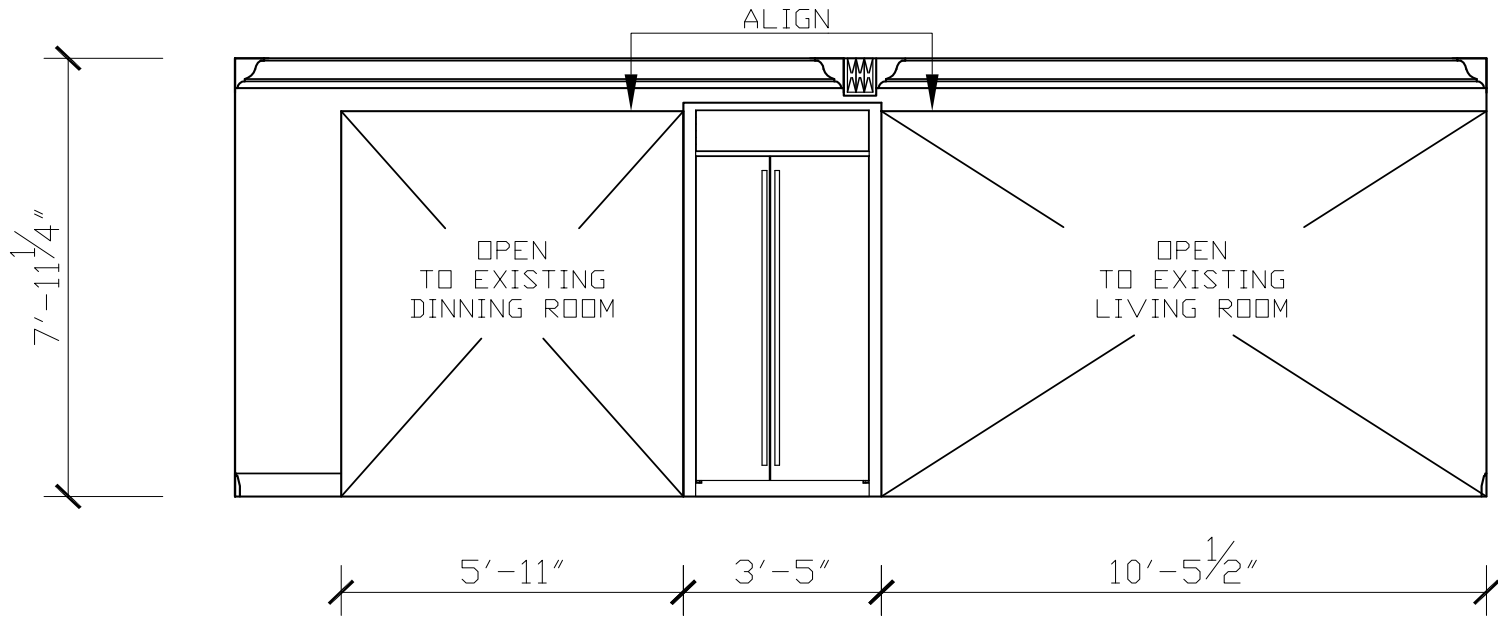
Whalerjack
225 Sterling Road, Unit 200B
Toronto, ON, M6R 2B2

PROPOSED FIRST FLOOR PLAN

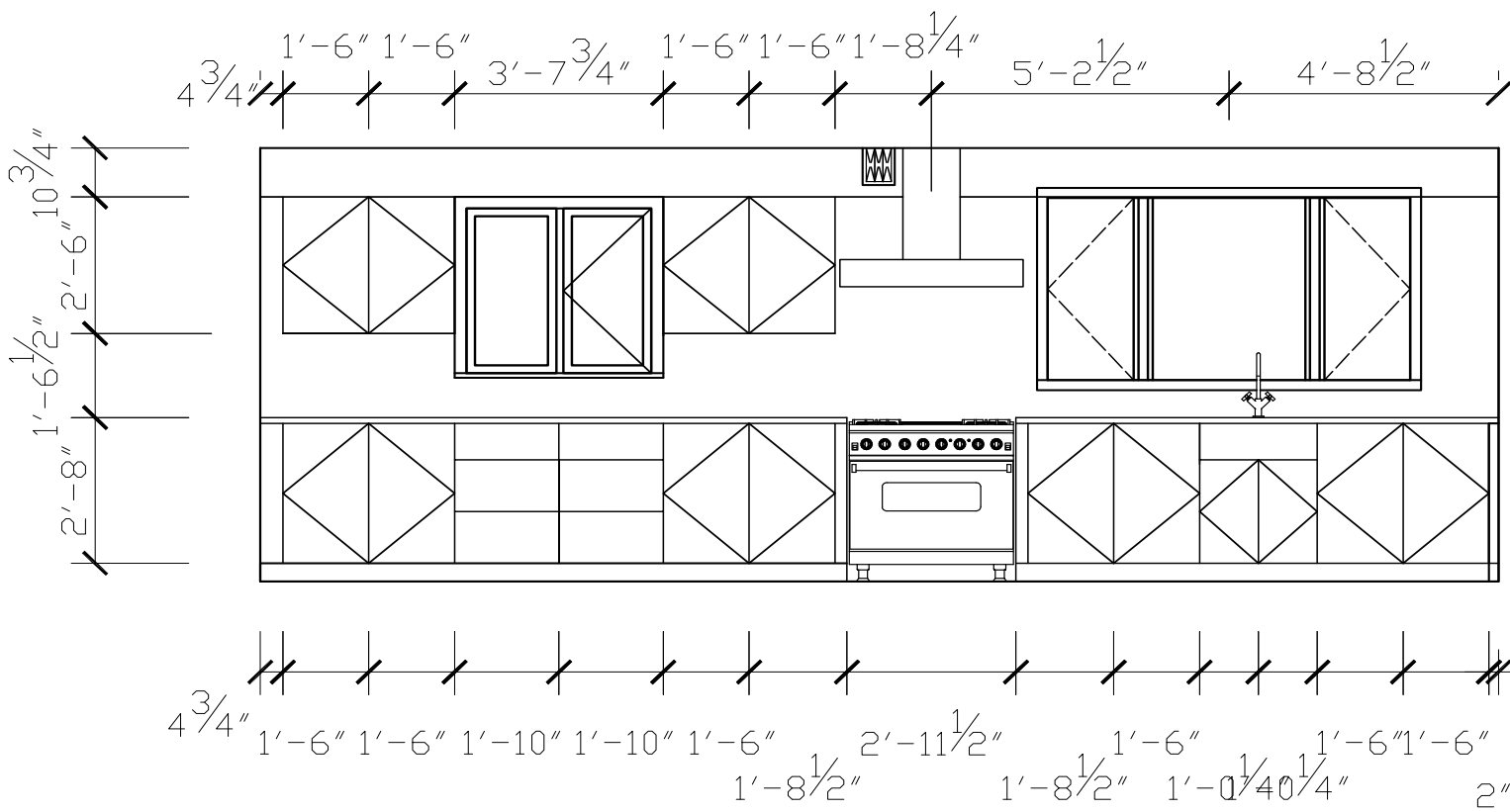
SCALE:

IMPERIAL SCALE
METRIC SCALE

DWG NO:
A-2
DRAWN BY:
K.L.
DATE:
25/5/11



1 INTERIOR ELEVATION SOUTH WALL
 A-7 SCALE 1":1-1/2'



2 INTERIOR ELEVATION NORTH WALL
 A-7 SCALE 1":1-1/2'

The undersigned has reviewed and takes responsibility for this design, and has the qualifications and meets the requirements set out in the Ontario Building Code to be a designer.

QUALIFICATION INFORMATION

STRUCTURAL ADEQUACY NOTES:

Verify/reinforce existing support system, including foundations, for loads imposed by the proposed construction

AGAINST ANY UNAUTHORIZED REPRODUCTION
 CONTRACTOR TO VERIFY SITE MEASUREMENTS
 AND REPORT ANY DISCREPANCIES TO DESIGNER

DRAWINGS PREPARED FOR CONSTRUCTION
 PERMIT

SITE:



Whalerjack
 225 Sterling Road, Unit 200B
 Toronto, ON, M6R 2B2

NORTH ELEVATION DEMO

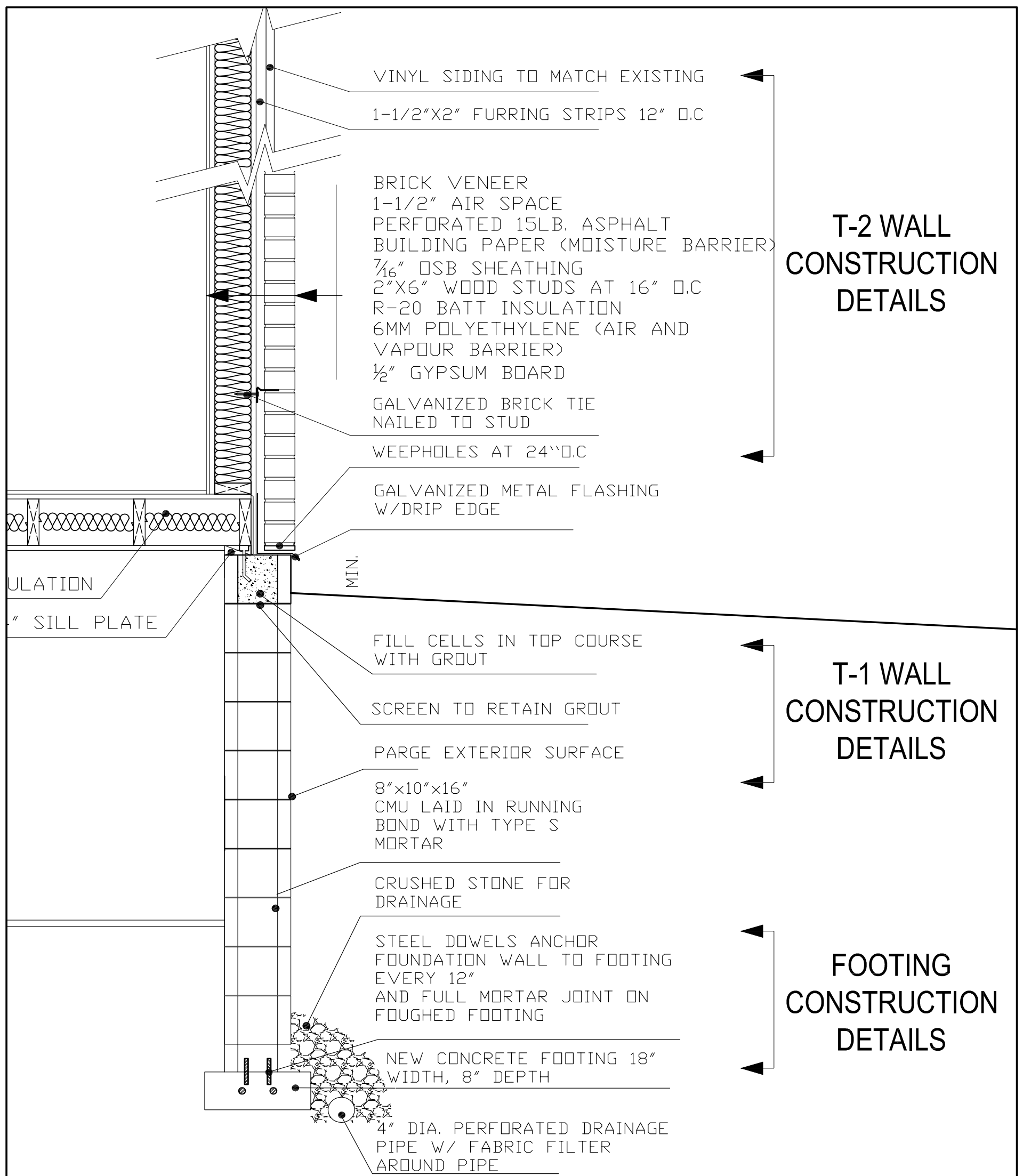
SCALE:

DWG NO:

A-7

DRAWN BY:
 K.L.

DATE:
 25/5/11



The undersigned has reviewed and takes responsibility for this design, and has the qualifications and meets the requirements set out in the Ontario Building Code to be a designer.

QUALIFICATION INFORMATION

STRUCTURAL ADEQUACY NOTES:
 Verify/reinforce existing support system, including foundations, for loads imposed by the proposed construction

AGAINST ANY UNAUTHORIZED REPRODUCTION

CONTRACTOR TO VERIFY SITE MEASUREMENTS AND REPORT ANY DISCREPANCIES TO DESIGNER

DRAWINGS PREPARED FOR CONSTRUCTION PERMIT

SITE:

Whalerjack
 225 Sterling Road, Unit 200B
 Toronto, Ontario M2B 2B2

WALL DETAILS

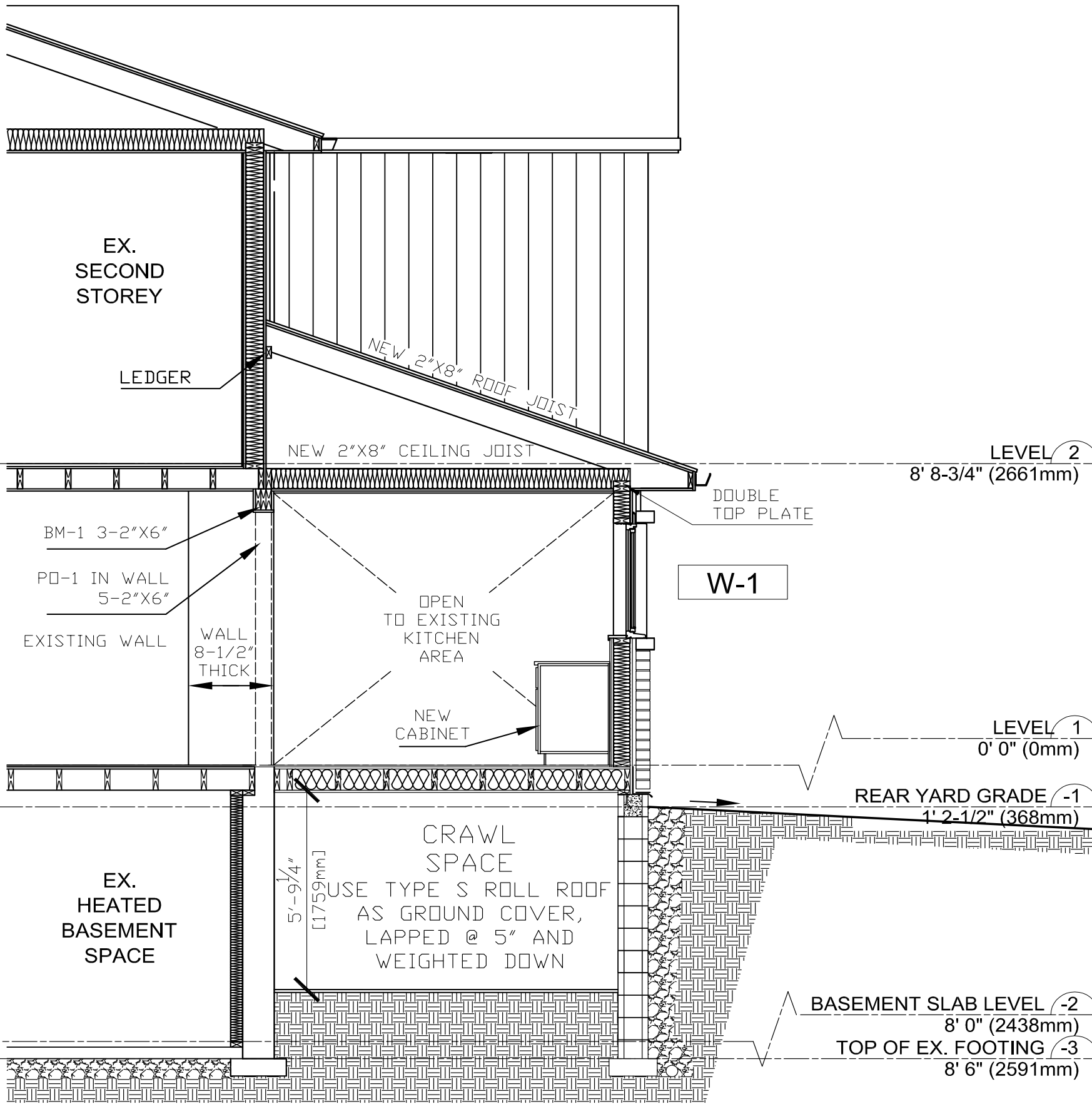
SCALE:
 2'

DWG NO:
A-6

DRAWN BY:
 K.L.

DATE:
 25/5/11

EXISTING ROOF PEAK ³
16' 8-3/4" (5099mm)



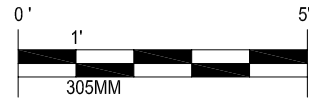
The undersigned has reviewed and takes responsibility for this design, and has the qualifications and meets the requirements set out in the Ontario Building Code to be a designer.

QUALIFICATION INFORMATION

STRUCTURAL ADEQUACY NOTES:

Verify/reinforce existing support system, including foundations, for loads imposed by the proposed construction

IMPERIAL SCALE



0MM
METRIC SCALE

AGAINST ANY UNAUTHORIZED REPRODUCTION

CONTRACTOR TO VERIFY SITE MEASUREMENTS AND REPORT ANY DISCREPANCIES TO DESIGNER

DRAWINGS PREPARED FOR CONSTRUCTION PERMIT

SITE:



NEW ADDITION SECTION

SCALE:

DWG NO:

A-5

DRAWN BY:
K.L.

DATE:
25/5/11